

# HFS 300

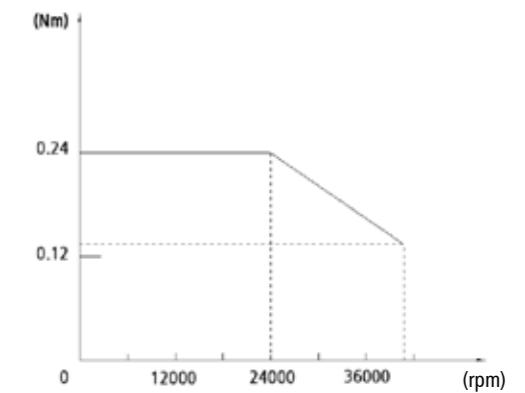


HFS 300

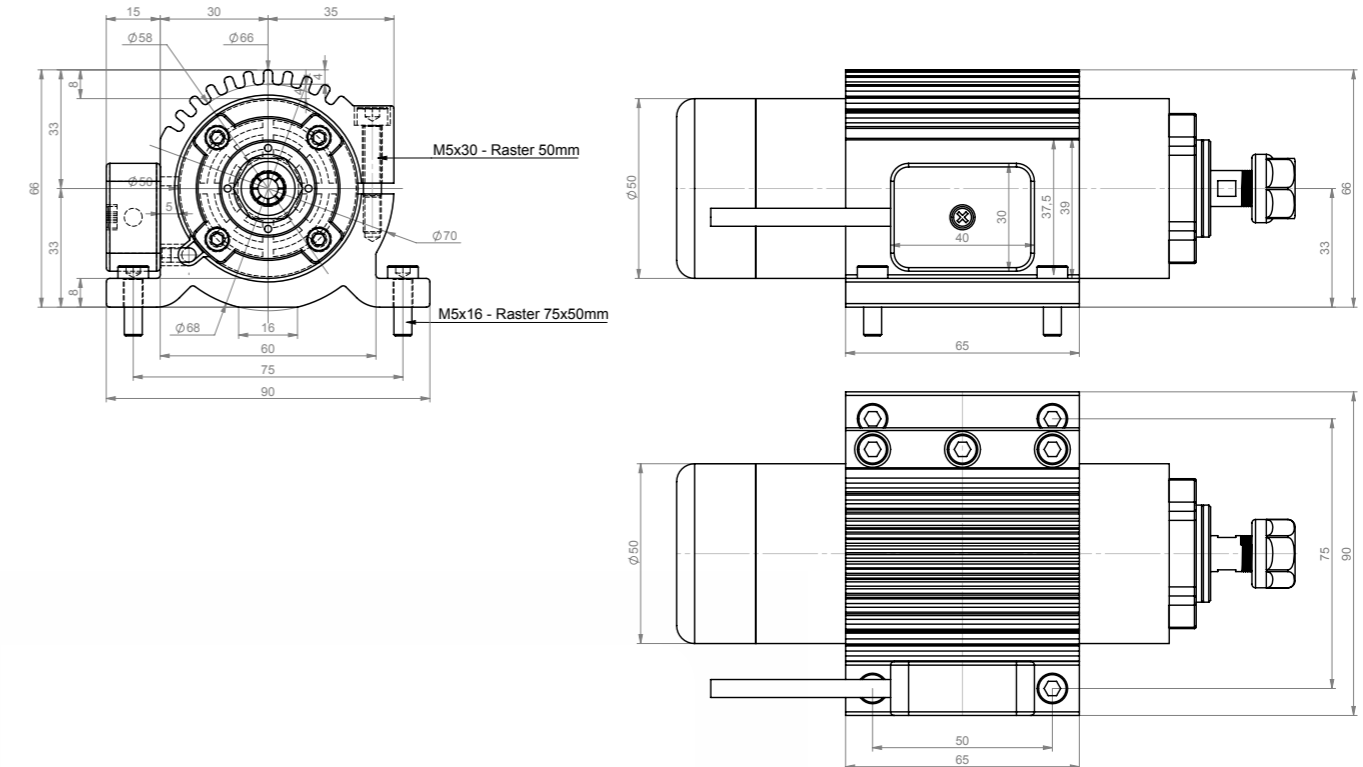
## TECHNICAL SPECIFICATION

Torque at rated speed (50.000 rpm)	Nm	0.058
Speed range	rpm	5,000 ... max. 50,000
Cut-off frequency** / Speed	Hz / rpm	400 / 24,000
Number of poles		2
Rated voltage	V	100
Rated current	A	2.0
cos Φ		0.8
Rated power	kW	0.3
Concentricity	mm	0.01
Weight	kg	1.2

## TORQUE CURVES



## DIMENSIONED DRAWINGS



## FEATURES

- solid 2-pole three-phase motor
- round design
- protection class IP 54, insulation class F, CE
- motor shaft for holding ER 8 collet
- rated power 0.3 kW
- speed range 5,000 – max. 50,000 rpm
- torque 0.058 Nm (at 50,000 rpm)
- rated voltage 100 V
- manual tool changer
- clamping range Ø 0.5 - 5.0 mm
- self ventilated at B side
- connection M23
- speed control by frequency converter
- concentricity: 0.01 mm
- weight: 1.2 kg

## OPTIONAL

- clamping block
- frequency converter
- brake resistor
- exhaust system
- range of different collets ER 8
- various lengths of connection leads

Hedy frequency converter 750 VA  
(see page 33)

connection lead  
3 m or 5 m

Collet und clamping nut ER 8  
(see page 40)

Clamping block SB 50  
(see page 47)

## ORDERING INFORMATION

Item name		Part no.
HFS 300	asynchronous spindle 0,3 kW with collet ER 11 (3 mm)	477003 3150
HFS 300 with Converter*	with collet ER 11 (3 mm), connection lead 3 m	310803 2014
Hedy frequency converter	vector controlled, 750 VA (1-phase)	311802 1000
Clamping block SB 50	with slide nuts and screws	290904 0050

\*converter pre-set for spindle

\*\*cut-off frequency = frequency to which the motor effect is designed

# HFS 800



HFS 800

## FEATURES

- solid 2-pole three-phase motor
- round design
- protection class IP 54, insulation class F, CE
- motor shaft for holding ER 11 clamping jaws
- rated power 0.8 kW
- speed range 5,000 – max. 24,000 rpm
- torque 0.32 Nm (at 24,000 rpm)
- rated voltage 220 V
- manual tool changer
- clamping range  $\varnothing$  0.5 - 7.0 mm
- self ventilated at B side
- connection M23
- speed control by frequency converter
- concentricity: 0.01 mm
- weight: 2.9 kg

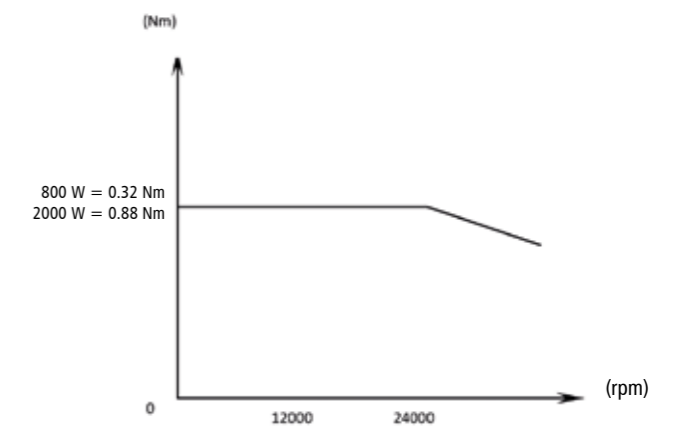
## OPTIONAL

- clamping block
- frequency converter
- brake resistor
- exhaust system
- range of different collets ER 11
- various lengths of connection leads

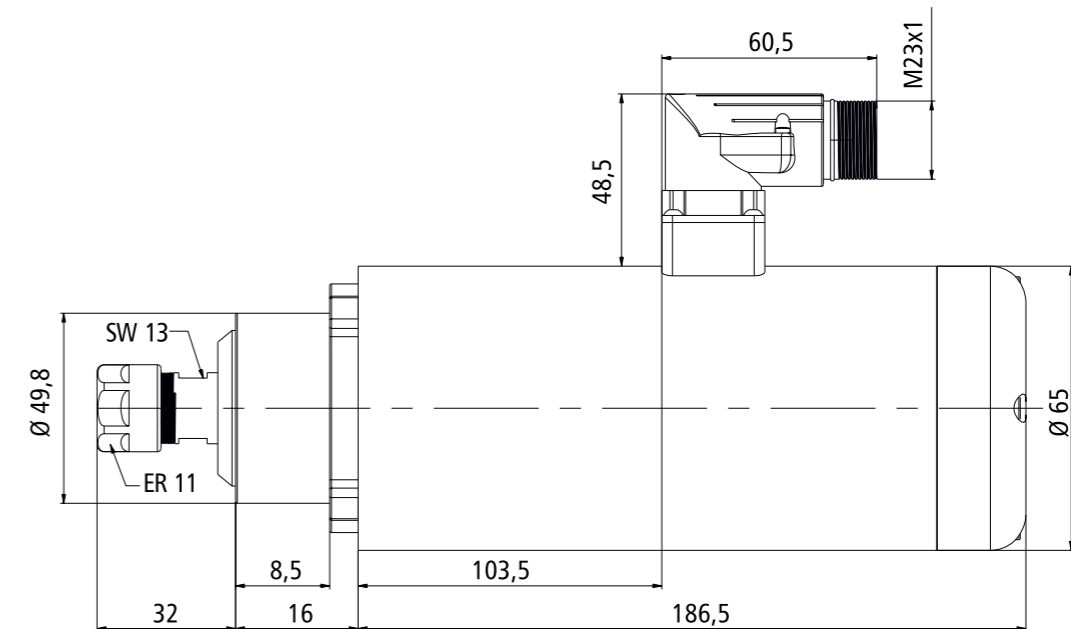
## TECHNICAL SPECIFICATION

Torque at rated speed (24,000 rpm)	Nm	0.32
Speed range	rpm	5,000 ... max. 24,000
Cut-off frequency** / Speed	Hz / rpm	400 / 24,000
Number of poles		2
Rated voltage	V	220
Rated current	A	2.5
cos $\Phi$		0.9
Rated power	kW	0.8
Concentricity	mm	0.01
Weight	kg	2.9

## TORQUE CURVES



## DIMENSIONED DRAWINGS



## ORDERING INFORMATION

Item name		Part no.
HFS 800	asynchronous spindle 0,8 kW with collet ER 11 (3 mm and 6 mm)	477008 30240
HFS 800 with converter*	with collet ER 11 (6 mm), connection lead 8 m	310802 2014
Hedy frequency converter	vector controlled, 750 VA (1-phase)	311802 1000
Collet set ER 11	1.0 / 1.5 / 2.0 / 2.5 / 3.0 / 3.5 / 4.0 / 4.5 / 5.0 / 5.5 / 6.0 / 6.5 / 7.0 mm	239170 0001
Clamping block SB 65	with slide nuts and screws	290904 0065

\*converter pre-set for spindle

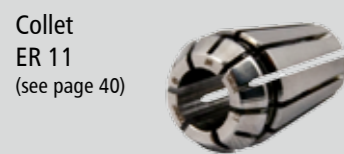
\*\*cut-off frequency = frequency to which the motor effect is designed



Hedy frequency converter 750 VA  
(see page 33)



connection lead  
3 m or 5 m



Collet  
ER 11  
(see page 40)



Clamping  
block SB 65  
(see page 47)

# HFS 1500



HFS 1500

## FEATURES

- solid 2-pole three-phase motor
- round design
- protection class IP 54, insulation class F, CE
- motor shaft for holding ER 16 clamping jaws
- rated power 1.5 kW
- speed range 5,000 – max. 24,000 rpm
- torque 0.6 Nm (at 18,000 rpm)
- rated voltage 220 V
- manual tool changer
- clamping range  $\varnothing$  0.5 - 10.0 mm
- self ventilated at B side
- connection M23
- speed control by frequency converter
- concentricity: 0.01 mm
- weight: 4.4 kg

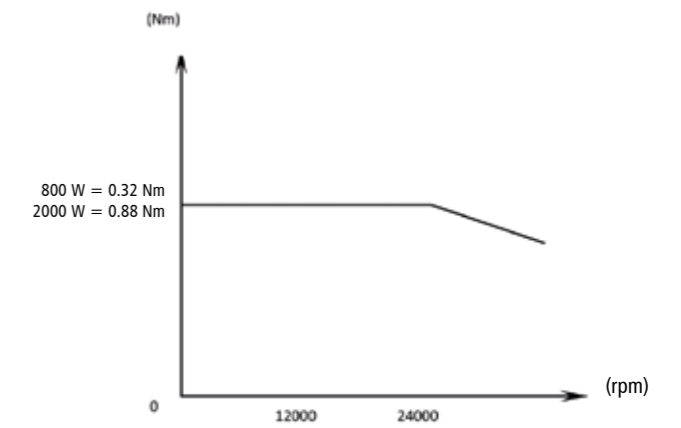
## OPTIONAL

- clamping block
- frequency converter
- brake resistor
- exhaust system
- range of different collets ER 16
- various lengths of connection leads

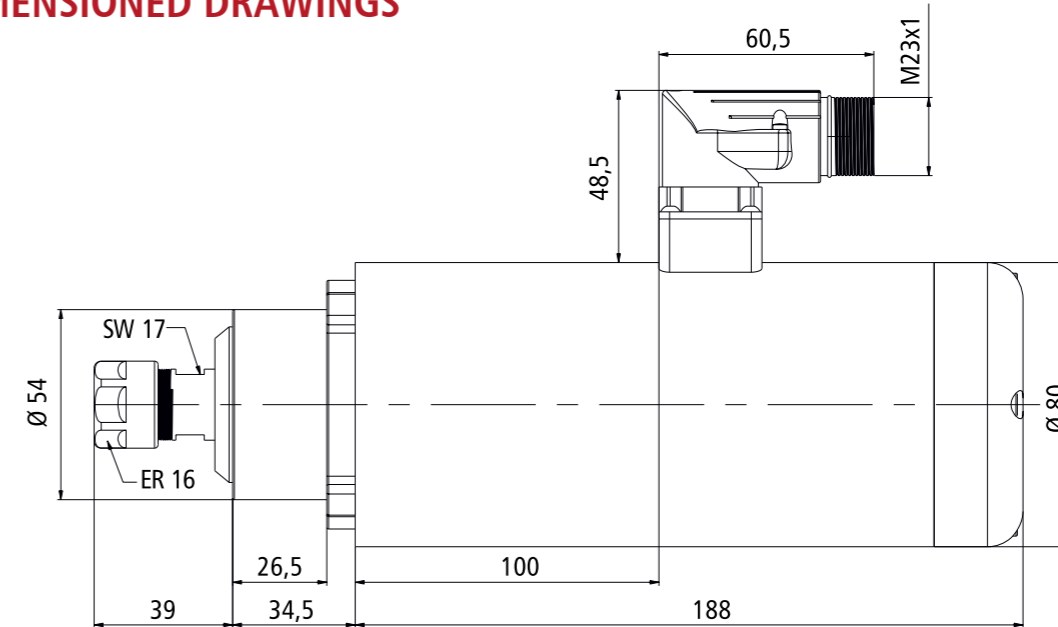
## TECHNICAL SPECIFICATION

Torque at rated speed (24.000 rpm)	Nm	0.6
Speed range	rpm	5,000 ... max. 24,000
Cut-off frequency** / Speed	Hz / rpm	400 / 24,000
Number of poles		2
Rated voltage	V	220
Rated current	A	5.0
cos $\Phi$		0.9
Rated power	kW	1.5
Concentricity	mm	0.01
Weight	kg	4.4

## TORQUE CURVES



## DIMENSIONED DRAWINGS



## ORDERING INFORMATION

Item name		Part no.
HFS 1500	asynchronous spindle 1,5 kW with collet ER 16 (6 mm)	477015 3024
HFS 1500 with converter*	with collet ER 16 (6 mm), connection lead 8 m	310815 2014
Hedy frequency converter	vector controlled, 1500 VA (1-phase)	311802 2000
Collet set ER 16	1.0 / 2.0 / 3.0 / 4.0 / 5.0 / 6.0 / 7.0 / 8.0 / 9.0 / 10.0 mm	239171 0001
Clamping block SB 80	with slide nuts and screws	290904 0080

\*converter pre-set for spindle

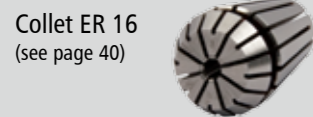
\*\*cut-off frequency = frequency to which the motor effect is designed



Hedy frequency converter 1500 VA (see page 33)



connection lead 3 m or 5 m



Collet ER 16 (see page 40)



Clamping block SB 80 (see page 47)

# HFS 2200



HFS 2200

## FEATURES

- solid 2-pole three-phase motor
- round design
- protection class IP 54, insulation class F, CE
- motor shaft for holding ER 20 clamping jaws
- rated power 2.2 kW
- speed range 5,000 - max. 24,000 rpm
- torque 0.88 Nm (at 24,000 rpm)
- rated voltage 220 V
- manual tool changer
- clamping range  $\varnothing$  0.5 - 10.0 mm
- self ventilated at B side
- connection M23
- speed control by frequency converter
- concentricity: 0.01 mm
- weight: 5.6 kg

## OPTIONAL

- clamping block
- frequency converter
- brake resistor
- exhaust system
- range of different collets ER 16
- various lengths of connection leads



Hedy frequency converter 1500 VA  
(see page 33)



connection lead  
3 m or 5 m

Collet ER 20  
(see page 40)

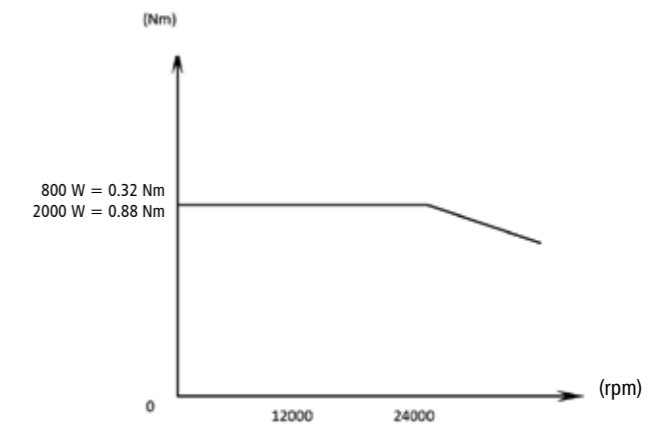


Clamping block SB 80  
(see page 47)

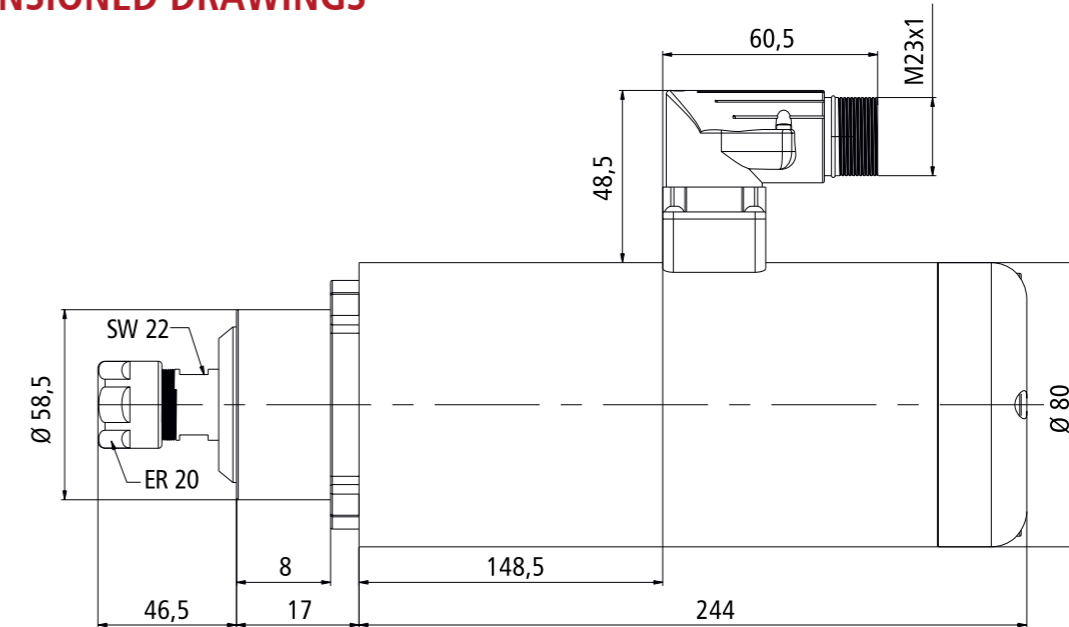
## TECHNICAL SPECIFICATION

Torque at rated speed (24.000 rpm)	Nm	0.88
Speed range	rpm	5,000 ... max. 24,000
Cut-off frequency** / Speed	Hz / rpm	400 / 24,000
Number of poles		2
Rated voltage	V	220
Rated current	A	8.0
cos $\Phi$		0.9
Rated power	kW	1.5
Concentricity	mm	0.01
Weight	kg	5.6

## TORQUE CURVES



## DIMENSIONED DRAWINGS



## ORDERING INFORMATION

Item name		Part no.
HFS 2200	asynchronous spindle 1,5 kW with collet ER 20 (12 mm)	477022 30240
HFS 2200 with converter*	with collet ER 20 (12 mm), connection lead 8 m	310822 2014
Hedy frequency converter	vector controlled, 1500 VA (1-phase)	311802 2000
Collet set ER 20	2.0 / 3.0 / 4.0 / 5.0 / 6.0 / 7.0 / 8.0 / 9.0 / 10.0 / 11.0 / 12.0 / 13.0 mm	239172 0001
Clamping block SB 80	with slide nuts and screws	290904 0080

\*converter pre-set for spindle

\*\*cut-off frequency = frequency to which the motor effect is designed