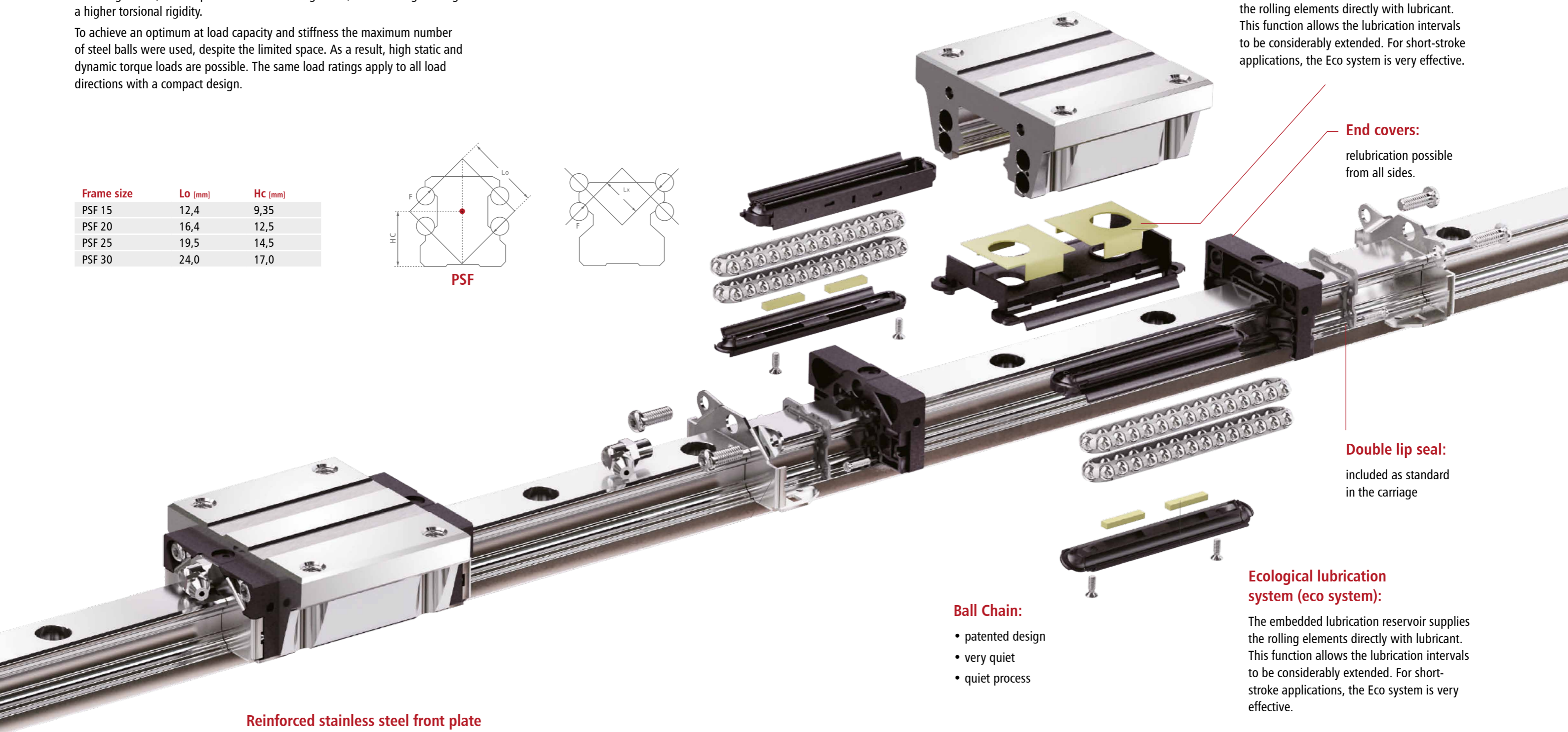
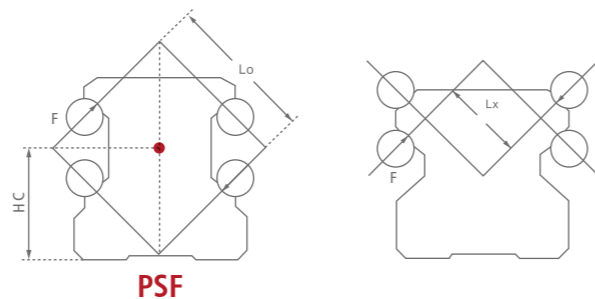


## PSF - Profiled rail guide

Linear guides are designed with four raceways in O - arrangement. The precision steel balls transmit introduced forces at a contact angle of 45 degrees (see following sketch). In comparison to the X-arrangement, the O-arrangement gives a higher torsional rigidity.

To achieve an optimum at load capacity and stiffness the maximum number of steel balls were used, despite the limited space. As a result, high static and dynamic torque loads are possible. The same load ratings apply to all load directions with a compact design.

| Frame size | Lo (mm) | Hc (mm) |
|------------|---------|---------|
| PSF 15     | 12,4    | 9,35    |
| PSF 20     | 16,4    | 12,5    |
| PSF 25     | 19,5    | 14,5    |
| PSF 30     | 24,0    | 17,0    |



### Ecological lubrication system (eco system):

The embedded lubrication reservoir supplies the rolling elements directly with lubricant. This function allows the lubrication intervals to be considerably extended. For short-stroke applications, the Eco system is very effective.

### End covers:

relubrication possible from all sides.

### Double lip seal:

included as standard in the carriage

### Ecological lubrication system (eco system):

The embedded lubrication reservoir supplies the rolling elements directly with lubricant. This function allows the lubrication intervals to be considerably extended. For short-stroke applications, the Eco system is very effective.

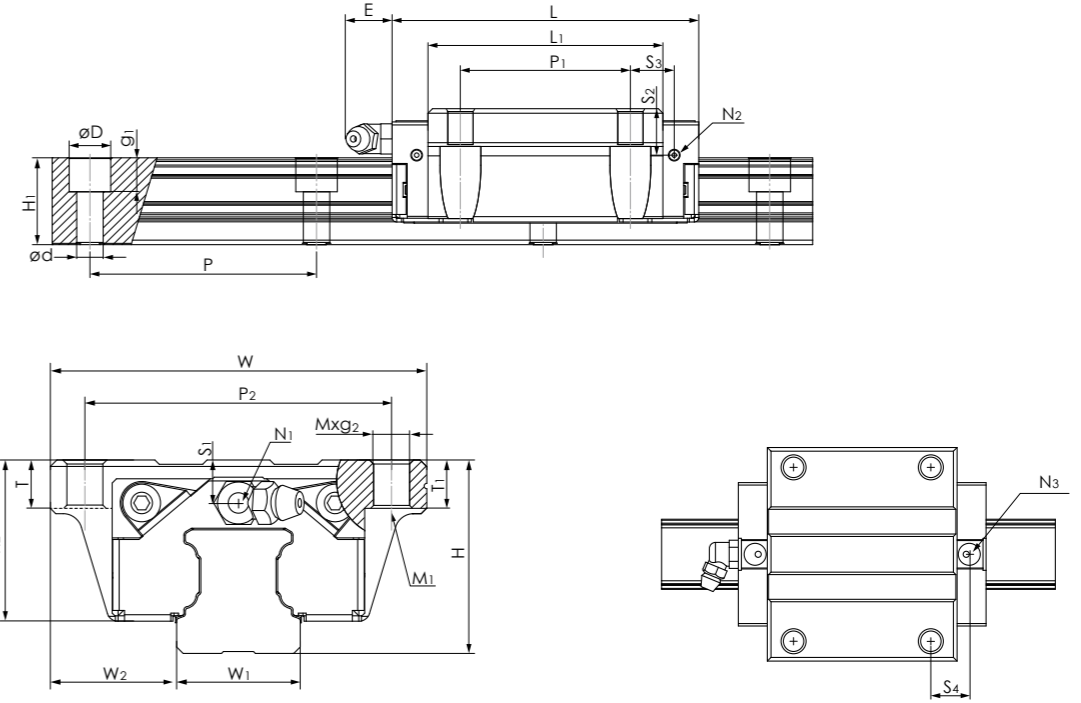
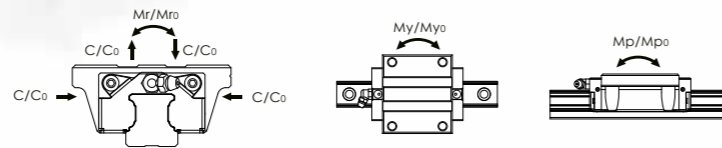
### Ball Chain:

- patented design
- very quiet
- quiet process

### Reinforced stainless steel front plate to increase the carriage characteristics

- Standard reinforced steel covers on the front sides.
- Increasing the stiffness in X-axis direction

- High rigidity.
- Excellent dynamic properties:  $V_{max} > 10 \text{ m / s}$ ,  $a_{max} > 450 \text{ m / s}^2$ .
- High static and dynamic torque loads possible.
- Same load ratings for all load directions.
- Guide rails can be screwed from above (screw head countersink) as well as from below (thread).
- Special surface coatings are possible



Order Data PSS-profile rail carriage

| model       | item number | model       | item number |
|-------------|-------------|-------------|-------------|
| PSS-H 15-FN | 223509      |             |             |
| PSS-H 20-FN | 223510      | PSS-H 20-FL | 223510 0100 |
| PSS-H 25-FN | 223511      | PSS-H 25-FL | 223511 0100 |
| PSS-H 30-FN | 223512      | PSS-H 30-FL | 223512 0100 |

Profiled rail guide

| model  | length [mm] | item number |
|--------|-------------|-------------|
| PSF 15 | 4000        | 223516 4000 |
| PSF 20 | 4000        | 223521 4000 |
| PSF 25 | 4000        | 223526 4000 |
| PSF 30 | 4000        | 223531 4000 |

Dimension PSF-Profiled rail guide

| model  | assembling dimension [mm] |                | rail dimension [mm] |                |    |                        |      | length [mm] |
|--------|---------------------------|----------------|---------------------|----------------|----|------------------------|------|-------------|
|        | H                         | W <sub>2</sub> | W <sub>1</sub>      | H <sub>1</sub> | P  | D x d x g <sub>1</sub> |      |             |
| PSF 15 | 24                        | 16             | 15                  | 15             | 60 | 7,5x4,5x5,3            | 4000 |             |
| PSF 20 | 30                        | 21,5           | 20                  | 20             | 60 | 9,5x6x8,5              | 4000 |             |
| PSF 25 | 36                        | 23,5           | 23                  | 23             | 60 | 11x7x9                 | 4000 |             |
| PSF 30 | 42                        | 31             | 28                  | 27             | 80 | 14x9x12                | 4000 |             |

technical data PSF-Profiled rail guide

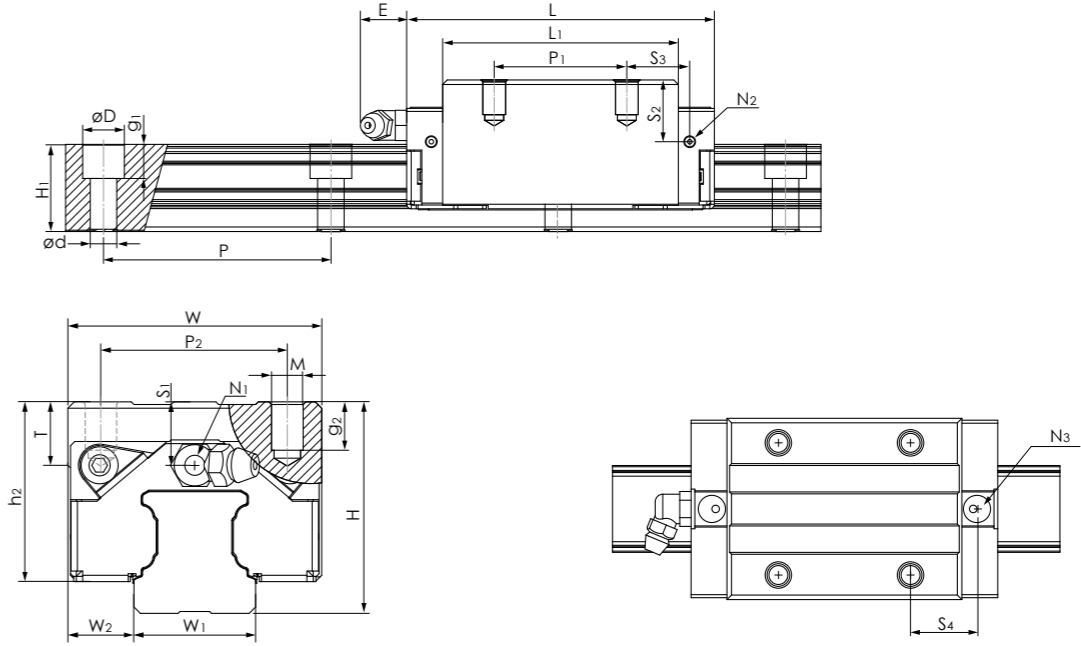
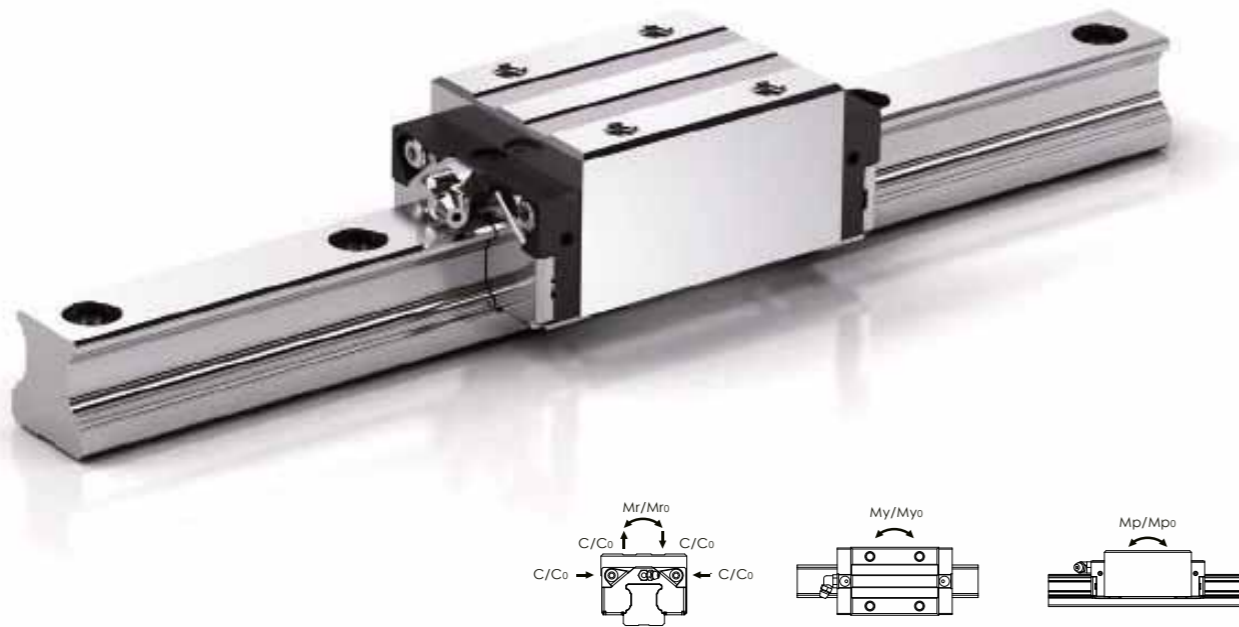
| with guide carriage | load rating [KN] |                | static moments [Nm] |                 |                 | weights      |            |
|---------------------|------------------|----------------|---------------------|-----------------|-----------------|--------------|------------|
|                     | C                | C <sub>0</sub> | Mr <sub>0</sub>     | Mp <sub>0</sub> | My <sub>0</sub> | carriage [g] | rail {g/m} |
| PSS-H 15-FN         | 9,9              | 17,5           | 140                 | 105             | 105             | 190          | 1290       |
| PSS-H 20-FN         | 17,1             | 30,0           | 325                 | 230             | 230             | 396          | 2280       |
| PSS-H 25-FN         | 24,8             | 42,5           | 540                 | 385             | 385             | 626          | 3020       |
| PSS-H 30-FN         | 32,8             | 53,7           | 845                 | 565             | 565             | 1110         | 4380       |

| with guide carriage | load rating [KN] |                | static moments [Nm] |                 |                 | weights      |            |
|---------------------|------------------|----------------|---------------------|-----------------|-----------------|--------------|------------|
|                     | C                | C <sub>0</sub> | Mr <sub>0</sub>     | Mp <sub>0</sub> | My <sub>0</sub> | carriage [g] | rail {g/m} |
| PSS-H 20-FL         | 20,4             | 38,5           | 415                 | 390             | 390             | 504          | 2280       |
| PSS-H 25-FL         | 30,7             | 57,5           | 735                 | 710             | 710             | 870          | 3020       |
| PSS-H 30-FL         | 39,6             | 70,2           | 1105                | 950             | 950             | 1385         | 4380       |

Dimension PSS-profile rail carriage

| model       | carriage dimensions [mm] |      |                |                |                |                |                    |                |    |                |                |                |                |     |                |                |                |                |
|-------------|--------------------------|------|----------------|----------------|----------------|----------------|--------------------|----------------|----|----------------|----------------|----------------|----------------|-----|----------------|----------------|----------------|----------------|
|             | W                        | L    | L <sub>1</sub> | h <sub>2</sub> | P <sub>1</sub> | P <sub>2</sub> | M x g <sub>2</sub> | M <sub>1</sub> | T  | T <sub>1</sub> | N <sub>1</sub> | N <sub>2</sub> | N <sub>3</sub> | E   | S <sub>1</sub> | S <sub>2</sub> | S <sub>3</sub> | S <sub>4</sub> |
| PSS-H 15-FN | 47                       | 55,5 | 40,3           | 20,7           | 30             | 38             | M5 x 7             | M4             | 7  | 7              | M3 x 6,5       | M3 x 6         | P3             | 3,5 | 4,5            | 7,5            | 7,8            | 8,9            |
| PSS-H 20-FN | 63                       | 69   | 52             | 25             | 40             | 53             | M6 x 10            | M5             | 10 | 10             | M3 x 7,5       | M3 x 5,5       | P4             | 10  | 6              | 9,4            | 9              | 9,7            |
| PSS-H 25-FN | 70                       | 81,2 | 62,2           | 30             | 45             | 57             | M8 x 12            | M6             | 12 | 12             | M6 x 7,5       | M3 x 6,5       | P4             | 12  | 8              | 12,3           | 11,6           | 12,6           |
| PSS-H 30-FN | 90                       | 95,5 | 71,5           | 35,2           | 52             | 72             | M10 x 12           | M8             | 12 | 12             | M6 x 8,5       | M6 x 5         | P5             | 12  | 7,5            | 12             | 14,8           | 14,5           |

| model       | carriage dimensions [mm] |      |                |                |                |                |                    |                |    |                |                |                |                |    |                |                |                |                |
|-------------|--------------------------|------|----------------|----------------|----------------|----------------|--------------------|----------------|----|----------------|----------------|----------------|----------------|----|----------------|----------------|----------------|----------------|
|             | W                        | L    | L <sub>1</sub> | h <sub>2</sub> | P <sub>1</sub> | P <sub>2</sub> | M x g <sub>2</sub> | M <sub>1</sub> | T  | T <sub>1</sub> | N <sub>1</sub> | N <sub>2</sub> | N <sub>3</sub> | E  | S <sub>1</sub> | S <sub>2</sub> | S <sub>3</sub> | S <sub>4</sub> |
| PSS-H 20-FL | 63                       | 87,2 | 70,2           | 25             | 40             | 53             | M5x7               | M5             | 7  | 7              | M3x7,5         | M3x5,5         | P4             | 10 | 6              | 9,4            | 18,1           | 18,8           |
| PSS-H 25-FL | 70                       | 105  | 86             | 30             | 45             | 57             | M6x10              | M6             | 12 | 12             | M6x7,5         | M3x6,5         | P4             | 12 | 8              | 12,3           | 23,5           | 24,5           |
| PSS-H 30-FL | 90                       | 118  | 94             | 35,2           | 52             | 72             | M8x12              | M8             | 10 | 10             | M6x8,5         | M6x5           | P5             | 12 | 7,5            | 12             | 25,7           | 25,8           |



Order Data PSS-profile rail carriage

| model       | item number | model       | item number |
|-------------|-------------|-------------|-------------|
| PSS-H 15-MN | 223509 1000 | PSS-H 15-ML | 223509 1100 |
| PSS-H 20-MN | 223510 1000 | PSS-H 20-ML | 223510 1100 |
| PSS-H 25-MN | 223511 1000 | PSS-H 25-ML | 223511 1100 |
| PSS-H 30-MN | 223512 1000 | PSS-H 30-ML | 223512 1100 |

Profiled rail guide

| model  | length [mm] | item number |
|--------|-------------|-------------|
| PSF 15 | 4000        | 223516 4000 |
| PSF 20 | 4000        | 223521 4000 |
| PSF 25 | 4000        | 223526 4000 |
| PSF 30 | 4000        | 223531 4000 |

Dimension PSF-Profiled rail guide

| model  | assembling dimension [mm] |                | rail dimension [mm] |                |    |                        |      | length [mm] |
|--------|---------------------------|----------------|---------------------|----------------|----|------------------------|------|-------------|
|        | H                         | W <sub>2</sub> | W <sub>1</sub>      | H <sub>1</sub> | P  | D x d x g <sub>1</sub> |      |             |
| PSF 15 | 24                        | 16             | 15                  | 15             | 60 | 7,5x4,5x5,3            | 4000 |             |
| PSF 20 | 30                        | 21,5           | 20                  | 20             | 60 | 9,5x6x8,5              | 4000 |             |
| PSF 25 | 36                        | 23,5           | 23                  | 23             | 60 | 11x7x9                 | 4000 |             |
| PSF 30 | 42                        | 31             | 28                  | 27             | 80 | 14x9x12                | 4000 |             |

technical data PSF-Profiled rail guide

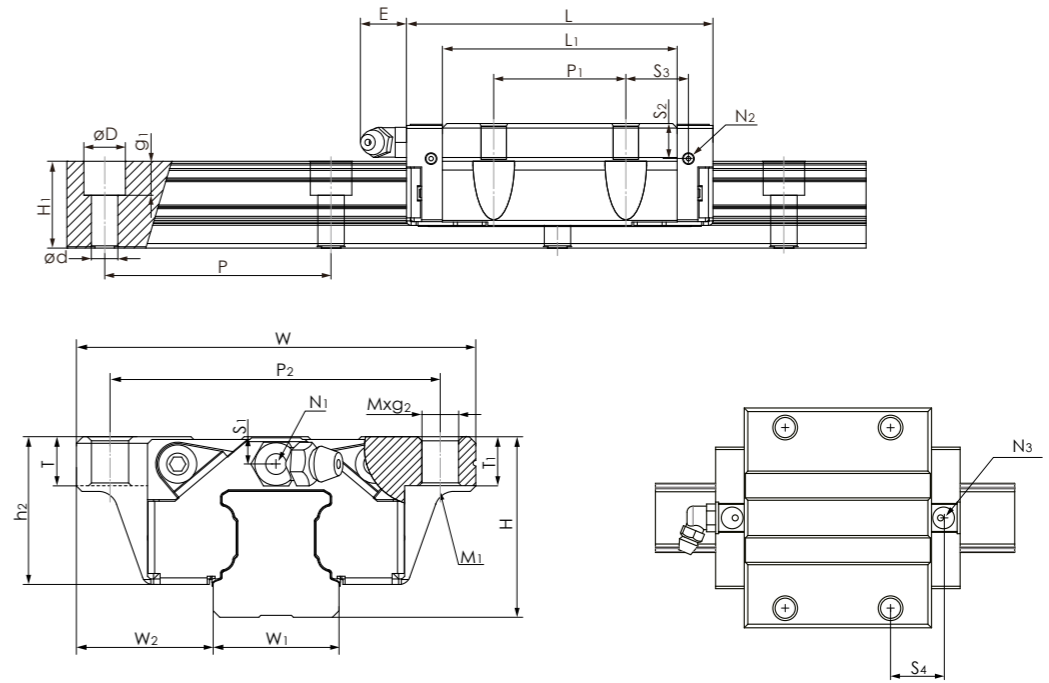
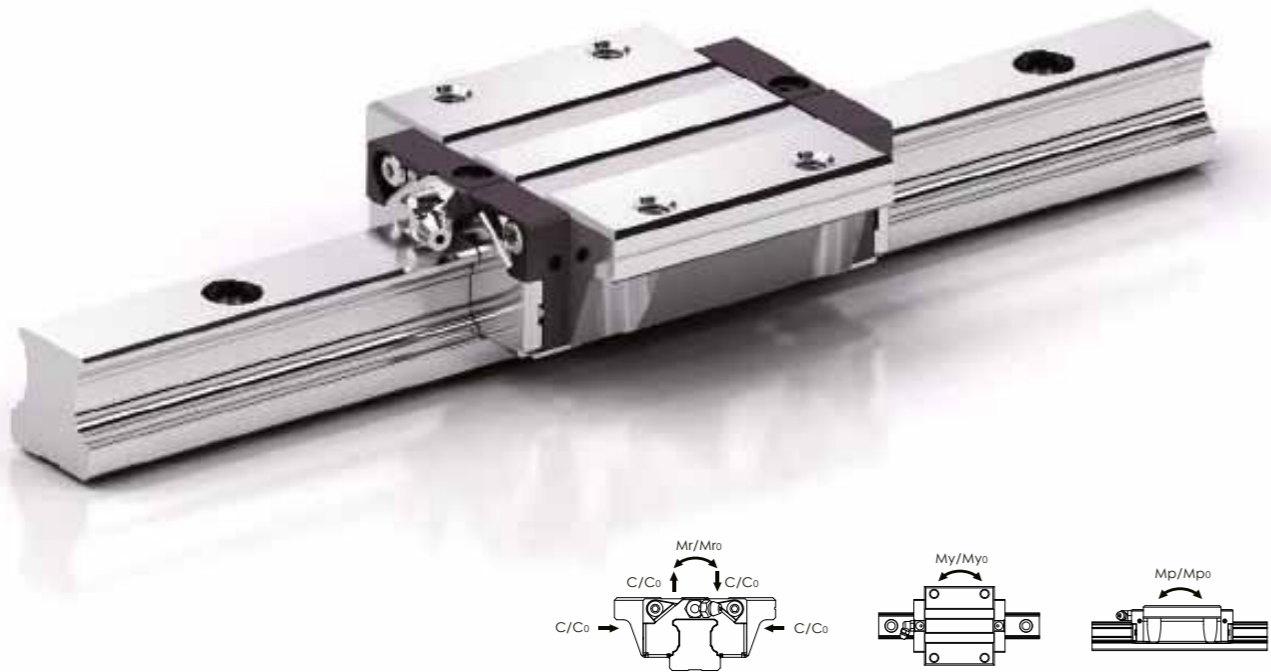
| with guide carriage | load rating [KN] |                | static moments [Nm] |                 |                 | weights      |            |
|---------------------|------------------|----------------|---------------------|-----------------|-----------------|--------------|------------|
|                     | C                | C <sub>0</sub> | Mr <sub>0</sub>     | Mp <sub>0</sub> | My <sub>0</sub> | carriage [g] | rail {g/m} |
| PSS-H 15-MN         | 9.9              | 17.5           | 140                 | 105             | 105             | 200          | 1290       |
| PSS-H 20-MN         | 17.1             | 30.0           | 325                 | 230             | 230             | 318          | 2280       |
| PSS-H 25-MN         | 24.8             | 42.5           | 540                 | 385             | 385             | 578          | 3020       |
| PSS-H 30-MN         | 32.8             | 53.7           | 845                 | 565             | 565             | 896          | 4380       |

| with guide carriage | load rating [KN] |                | static moments [Nm] |                 |                 | weights      |            |
|---------------------|------------------|----------------|---------------------|-----------------|-----------------|--------------|------------|
|                     | C                | C <sub>0</sub> | Mr <sub>0</sub>     | Mp <sub>0</sub> | My <sub>0</sub> | carriage [g] | rail {g/m} |
| PSS-H 15-ML         | 13,4             | 26,9           | 215                 | 235             | 235             | 300          | 1290       |
| PSS-H 20-ML         | 20,4             | 38,5           | 415                 | 390             | 390             | 400          | 2280       |
| PSS-H 25-ML         | 30,7             | 57,7           | 735                 | 710             | 710             | 685          | 3020       |
| PSS-H 30-ML         | 39,6             | 70,2           | 1105                | 950             | 950             | 1150         | 4380       |

Dimension PSS-profile rail carriage

| model       | carriage dimensions [mm] |      |                |                |                |                |                    |    |                |                |                |     |                |                |                |                |
|-------------|--------------------------|------|----------------|----------------|----------------|----------------|--------------------|----|----------------|----------------|----------------|-----|----------------|----------------|----------------|----------------|
|             | W                        | L    | L <sub>1</sub> | h <sub>2</sub> | P <sub>1</sub> | P <sub>2</sub> | M x g <sub>2</sub> | T  | N <sub>1</sub> | N <sub>2</sub> | N <sub>3</sub> | E   | S <sub>1</sub> | S <sub>2</sub> | S <sub>3</sub> | S <sub>4</sub> |
| PSS-H 15-MN | 34                       | 55,5 | 40,3           | 24,7           | 26             | 26             | M4x7               | 6  | M3x6,5         | M3x6           | P3             | 3,5 | 8,5            | 11,5           | 9,8            | 10,9           |
| PSS-H 20-MN | 44                       | 69   | 52             | 25             | 36             | 32             | M5x8,5             | 8  | M3x7,5         | M3x7,5         | P4             | 10  | 6              | 9,4            | 11             | 11,7           |
| PSS-H 25-MN | 48                       | 81,2 | 62,2           | 34             | 35             | 35             | M6x9               | 12 | M6x7,5         | M6x7,5         | P4             | 12  | 12             | 16,3           | 16,6           | 17,6           |
| PSS-H 30-MN | 60                       | 95,5 | 71,5           | 38,4           | 40             | 40             | M8x12              | 12 | M6x8,5         | M6x8,5         | P5             | 12  | 10,5           | 15             | 20,8           | 20,5           |

| model       | carriage dimensions [mm] |      |                |                |                |                |                    |    |                |                |                |     |                |                |                |                |
|-------------|--------------------------|------|----------------|----------------|----------------|----------------|--------------------|----|----------------|----------------|----------------|-----|----------------|----------------|----------------|----------------|
|             | W                        | L    | L <sub>1</sub> | h <sub>2</sub> | P <sub>1</sub> | P <sub>2</sub> | M x g <sub>2</sub> | T  | N <sub>1</sub> | N <sub>2</sub> | N <sub>3</sub> | E   | S <sub>1</sub> | S <sub>2</sub> | S <sub>3</sub> | S <sub>4</sub> |
| PSS-H 15-ML | 34                       | 76,2 | 61             | 24,7           | 26             | 26             | M4x7               | 6  | M3x6,5         | M3x6           | P3             | 3,5 | 8,5            | 11,5           | 20,1           | 21,2           |
| PSS-H 20-ML | 44                       | 87,2 | 70,2           | 25             | 50             | 32             | M5x8,5             | 8  | M3x7,5         | M3x5,5         | P4             | 10  | 6              | 9,4            | 13,1           | 13,8           |
| PSS-H 25-ML | 48                       | 105  | 86             | 34             | 50             | 35             | M6x9               | 12 | M6x7,5         | M3x6,5         | P4             | 12  | 12             | 16,3           | 21             | 22             |
| PSS-H 30-ML | 60                       | 118  | 94             | 38,4           | 60             | 40             | M8x12              | 12 | M6x8,5         | M6x5           | P5             | 12  | 10,5           | 15             | 21,7           | 21,8           |



Order Data PSS-profile rail carriage

| model       | item number | model       | item number |
|-------------|-------------|-------------|-------------|
| PSS-A 15-FS | 223509 2100 | PSS-A 15-FN | 223509 2000 |
| PSS-A 20-FS | 223510 2100 | PSS-A 20-FN | 223510 2000 |
| PSS-A 25-FS | 223511 2100 | PSS-A 25-FN | 223511 2000 |
| PSS-A 30-FS | 223512 2100 | PSS-A 30-FN | 223512 2000 |

Profiled rail guide

| model  | length [mm] | item number |
|--------|-------------|-------------|
| PSF 15 | 4000        | 223516 4000 |
| PSF 20 | 4000        | 223521 4000 |
| PSF 25 | 4000        | 223526 4000 |
| PSF 30 | 4000        | 223531 4000 |

Dimension PSF-Profiled rail guide

| model  | assembling dimension [mm] |      | rail dimension [mm] |    |    |             |      | length [mm] |
|--------|---------------------------|------|---------------------|----|----|-------------|------|-------------|
|        | H                         | W2   | W1                  | H1 | P  | D x d x g 1 |      |             |
| PSF 15 | 24                        | 16   | 15                  | 15 | 60 | 7,5x4,5x5,3 | 4000 |             |
| PSF 20 | 30                        | 21,5 | 20                  | 20 | 60 | 9,5x6x8,5   | 4000 |             |
| PSF 25 | 36                        | 23,5 | 23                  | 23 | 60 | 11x7x9      | 4000 |             |
| PSF 30 | 42                        | 31   | 28                  | 27 | 80 | 14x9x12     | 4000 |             |

technical data PSF-Profiled rail guide

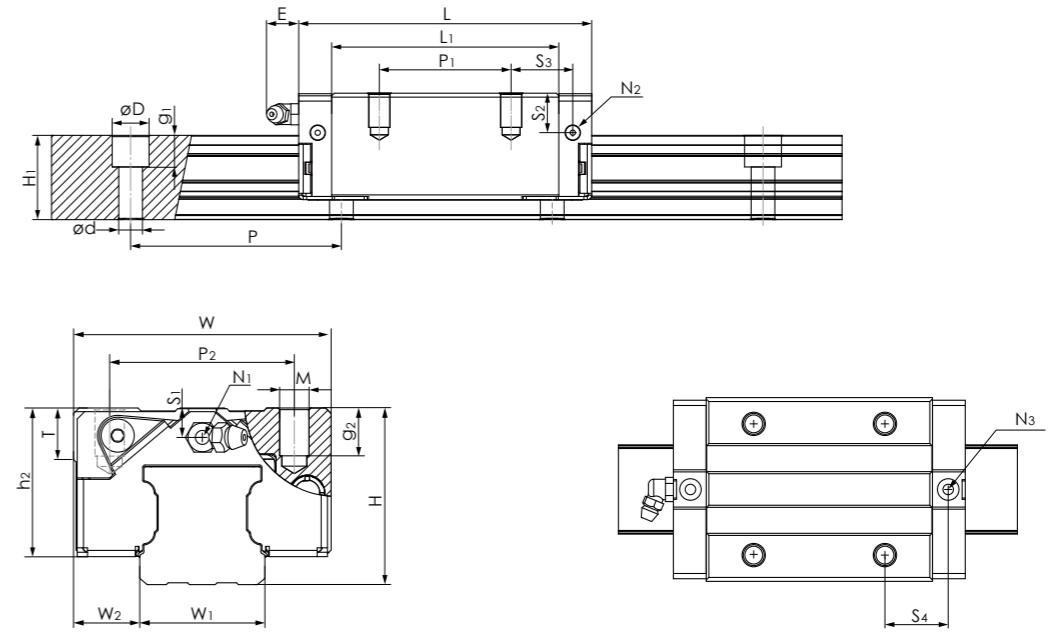
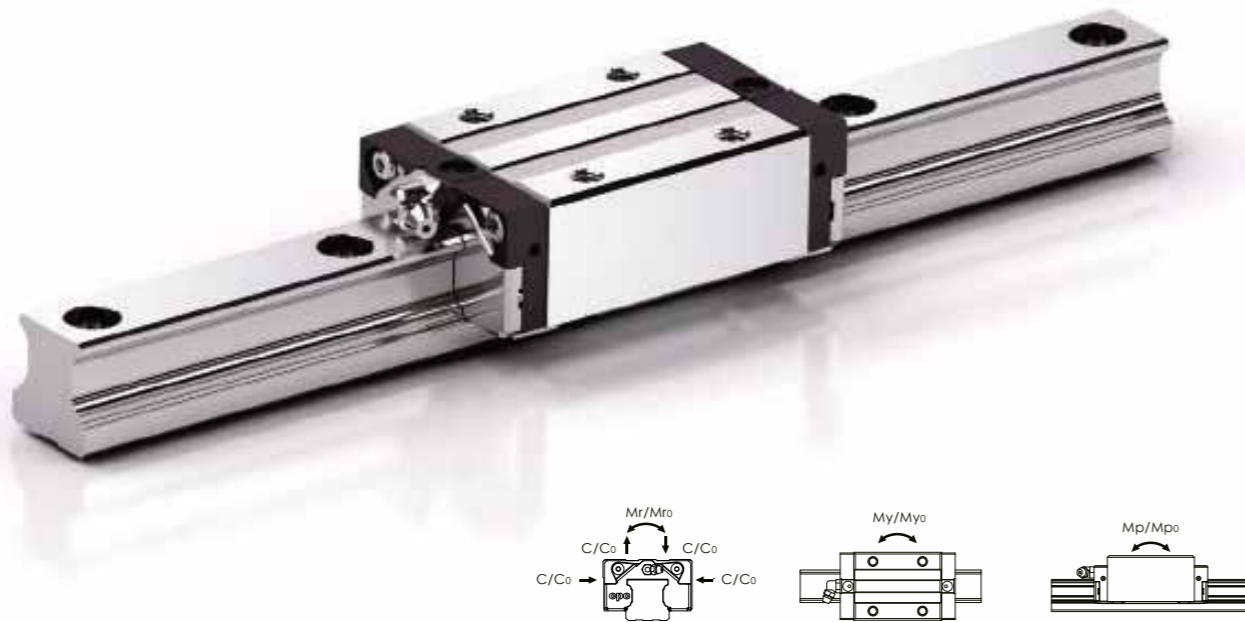
| with guide carriage | load rating [KN] |      | static moments [Nm] |      |      | weights      |            |
|---------------------|------------------|------|---------------------|------|------|--------------|------------|
|                     | C                | Co   | Mr o                | Mp o | My o | carriage [g] | rail {g/m} |
| PSS-A 15-FS         | 7,7              | 12,1 | 100                 | 50   | 50   | 132          | 1290       |
| PSS-A 20-FS         | 12,5             | 19,3 | 205                 | 100  | 100  | 210          | 2280       |
| PSS-A 25-FS         | 18,2             | 27,3 | 350                 | 160  | 160  | 345          | 3020       |
| PSS-A 30-FS         | 23,3             | 33,1 | 520                 | 230  | 230  | 750          | 4380       |

| with guide carriage | load rating [KN] |      | static moments [Nm] |      |      | weights      |            |
|---------------------|------------------|------|---------------------|------|------|--------------|------------|
|                     | C                | Co   | Mr o                | Mp o | My o | carriage [g] | rail {g/m} |
| PSS-A 15-FN         | 9,9              | 17,5 | 140                 | 105  | 105  | 200          | 1290       |
| PSS-A 20-FN         | 17,1             | 30,0 | 325                 | 230  | 230  | 336          | 2280       |
| PSS-A 25-FN         | 24,8             | 42,5 | 540                 | 385  | 385  | 524          | 3020       |
| PSS-A 30-FN         | 32,8             | 53,7 | 845                 | 565  | 565  | 1200         | 4380       |

Dimension PSS-profile rail carriage

| model       | carriage dimensions [mm] |      |      |      |    |    |         |    |    |    |        |        |    |     |     |     |      |      |
|-------------|--------------------------|------|------|------|----|----|---------|----|----|----|--------|--------|----|-----|-----|-----|------|------|
|             | W                        | L    | L1   | h2   | P1 | P2 | M x g 2 | M1 | T  | T1 | N1     | N2     | N3 | E   | S1  | S2  | S3   | S4   |
| PSS-A 15-FS | 52                       | 41,2 | 26   | 20,7 | -  | 41 | M5x7    | M4 | 7  | 7  | M3x6,5 | M3x6   | P3 | 3,5 | 4,5 | 7,5 | 15,6 | 16,7 |
| PSS-A 20-FS | 59                       | 49,2 | 32,2 | 23   | -  | 49 | M6x10   | M5 | 10 | 10 | M3x7,5 | M3x5,5 | P4 | 10  | 4   | 7,4 | 19,1 | 19,8 |
| PSS-A 25-FS | 73                       | 57,4 | 38,4 | 27   | -  | 60 | M8x12   | M6 | 12 | 12 | M6x7,5 | M3x6,5 | P4 | 12  | 5   | 9,3 | 22,2 | 23,2 |
| PSS-A 30-FS | 90                       | 68   | 44   | 35,2 | -  | 72 | M10x12  | M8 | 12 | 12 | M6x8,5 | M6x5   | P5 | 12  | 7,5 | 12  | 27   | 26,8 |

| model       | carriage dimensions [mm] |      |      |      |    |    |         |    |    |    |        |        |    |     |     |     |      |      |
|-------------|--------------------------|------|------|------|----|----|---------|----|----|----|--------|--------|----|-----|-----|-----|------|------|
|             | W                        | L    | L1   | h2   | P1 | P2 | M x g 2 | M1 | T  | T1 | N1     | N2     | N3 | E   | S1  | S2  | S3   | S4   |
| PSS-A 15-FN | 52                       | 55.5 | 40.3 | 20.7 | 26 | 41 | M5x7    | M4 | 7  | 7  | M3x6.5 | M3x6   | P3 | 3.5 | 4.5 | 7.5 | 8.9  | 10.9 |
| PSS-A 20-FN | 59                       | 69   | 52   | 23   | 32 | 49 | M6x10   | M5 | 10 | 10 | M3x7.5 | M3x5.5 | P4 | 10  | 4   | 7.4 | 13   | 13.7 |
| PSS-A 25-FN | 73                       | 81.2 | 62.2 | 27   | 35 | 60 | M8x12   | M6 | 12 | 12 | M6x7.5 | M3x6.5 | P4 | 12  | 5   | 9.3 | 16.6 | 17.6 |
| PSS-A 30-FN | 90                       | 95.5 | 71.5 | 35.2 | 40 | 72 | M10x12  | M8 | 12 | 12 | M6x8.5 | M6x5   | P5 | 12  | 7.5 | 12  | 20.8 | 20.5 |



Order Data PSS-profile rail carriage

| model       | item number | model       | item number |
|-------------|-------------|-------------|-------------|
| PSS-A 15-MN | 223509 3000 | PSS-A 15-MS | 223509 3100 |
| PSS-A 20-MN | 223510 3000 | PSS-A 20-MS | 223510 3100 |
| PSS-A 25-MN | 223511 3000 | PSS-A 25-MS | 223511 3100 |
| PSS-A 30-MN | 223512 3000 | PSS-A 30-MS | 223512 3100 |

Profiled rail guide

| model  | length [mm] | item number |
|--------|-------------|-------------|
| PSF 15 | 4000        | 223516 4000 |
| PSF 20 | 4000        | 223521 4000 |
| PSF 25 | 4000        | 223526 4000 |
| PSF 30 | 4000        | 223531 4000 |

Dimension PSF-Profiled rail guide

| model  | assembling dimension [mm] |                | rail dimension [mm] |                |    |                        |      | length [mm] |
|--------|---------------------------|----------------|---------------------|----------------|----|------------------------|------|-------------|
|        | H                         | W <sub>2</sub> | W <sub>1</sub>      | H <sub>1</sub> | P  | D x d x g <sub>1</sub> |      |             |
| PSF 15 | 24                        | 16             | 15                  | 15             | 60 | 7,5x4,5x5,3            | 4000 |             |
| PSF 20 | 30                        | 21,5           | 20                  | 20             | 60 | 9,5x6x8,5              | 4000 |             |
| PSF 25 | 36                        | 23,5           | 23                  | 23             | 60 | 11x7x9                 | 4000 |             |
| PSF 30 | 42                        | 31             | 28                  | 27             | 80 | 14x9x12                | 4000 |             |

technical data PSF-Profiled rail guide

| with guide carriage | load rating [KN] |                | static moments [Nm] |                 |                 | weights      |            |
|---------------------|------------------|----------------|---------------------|-----------------|-----------------|--------------|------------|
|                     | C                | C <sub>0</sub> | Mr <sub>0</sub>     | Mp <sub>0</sub> | My <sub>0</sub> | carriage [g] | rail {g/m} |
| PSS-A 15-MS         | 7,7              | 12,1           | 100                 | 50              | 50              | 106          | 1290       |
| PSS-A 20-MS         | 12,5             | 19,3           | 205                 | 100             | 100             | 170          | 2280       |
| PSS-A 25-MS         | 18,2             | 27,3           | 350                 | 160             | 160             | 300          | 3020       |
| PSS-A 30-MS         | 23,3             | 33,1           | 520                 | 230             | 230             | 560          | 4380       |

Dimension PSS-profile rail carriage

| model       | carriage dimensions [mm] |      |                |                |                |                |                    |    |                |                |                |     |                |                |                |                |
|-------------|--------------------------|------|----------------|----------------|----------------|----------------|--------------------|----|----------------|----------------|----------------|-----|----------------|----------------|----------------|----------------|
|             | W                        | L    | L <sub>1</sub> | h <sub>2</sub> | P <sub>1</sub> | P <sub>2</sub> | M x g <sub>2</sub> | T  | N <sub>1</sub> | N <sub>2</sub> | N <sub>3</sub> | E   | S <sub>1</sub> | S <sub>2</sub> | S <sub>3</sub> | S <sub>4</sub> |
| PSS-A 15-MS | 34                       | 41,2 | 26             | 20,7           | -              | 26             | M4x7               | 6  | M3x6,5         | M3x6           | P3             | 3,5 | 4,5            | 7,5            | 15,6           | 16,7           |
| PSS-A 20-MS | 42                       | 49,2 | 32,2           | 23             | -              | 32             | M5x7               | 8  | M3x7,5         | M3x5,5         | P4             | 10  | 4              | 7,4            | 19,1           | 19,8           |
| PSS-A 25-MS | 48                       | 57,4 | 38,4           | 27             | -              | 35             | M6x9               | 8  | M6x7,5         | M3x6,5         | P4             | 12  | 5              | 9,3            | 22,2           | 23,2           |
| PSS-A 30-MS | 60                       | 68   | 44             | 35,2           | -              | 40             | M8x10              | 12 | M6x8,5         | M6x5           | P5             | 12  | 7,5            | 12             | 27             | 26,7           |

| with guide carriage | load rating [KN] |                | static moments [Nm] |                 |                 | weights      |            |
|---------------------|------------------|----------------|---------------------|-----------------|-----------------|--------------|------------|
|                     | C                | C <sub>0</sub> | Mr <sub>0</sub>     | Mp <sub>0</sub> | My <sub>0</sub> | carriage [g] | rail {g/m} |
| PSS-A 15-MN         | 9,9              | 17,5           | 140                 | 105             | 105             | 158          | 1290       |
| PSS-A 20-MN         | 17,1             | 30,0           | 325                 | 230             | 230             | 266          | 2280       |
| PSS-A 25-MN         | 24,8             | 42,5           | 540                 | 385             | 385             | 420          | 3020       |
| PSS-A 30-MN         | 32,8             | 53,7           | 845                 | 565             | 565             | 800          | 4380       |

| model       | carriage dimensions [mm] |      |                |                |                |                |                    |    |                |                |                |     |                |                |                |                |
|-------------|--------------------------|------|----------------|----------------|----------------|----------------|--------------------|----|----------------|----------------|----------------|-----|----------------|----------------|----------------|----------------|
|             | W                        | L    | L <sub>1</sub> | h <sub>2</sub> | P <sub>1</sub> | P <sub>2</sub> | M x g <sub>2</sub> | T  | N <sub>1</sub> | N <sub>2</sub> | N <sub>3</sub> | E   | S <sub>1</sub> | S <sub>2</sub> | S <sub>3</sub> | S <sub>4</sub> |
| PSS-A 15-MN | 34                       | 55,5 | 40,3           | 20,7           | 26             | 26             | M4x7               | 6  | M3x6,5         | M3x6           | P3             | 3,5 | 4,5            | 7,5            | 9,8            | 10,9           |
| PSS-A 20-MN | 42                       | 69   | 52             | 23             | 32             | 32             | M5x7               | 8  | M3x7,5         | M3x5,5         | P4             | 10  | 4              | 7,4            | 13             | 13,7           |
| PSS-A 25-MN | 48                       | 81,2 | 62,2           | 27             | 35             | 35             | M6x9               | 8  | M6x7,5         | M3x6,5         | P4             | 12  | 5              | 9,3            | 16,6           | 17,6           |
| PSS-A 30-MN | 60                       | 95,5 | 71,5           | 35,2           | 40             | 40             | M8x10              | 12 | M6x8,5         | M6x5           | P5             | 12  | 7,5            | 12             | 20,8           | 20,5           |