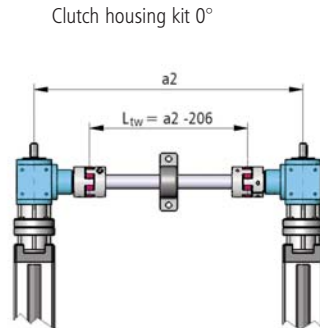
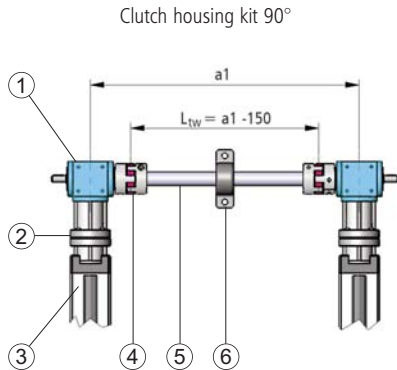


Installation kit with angular transmission

Drive element accessories

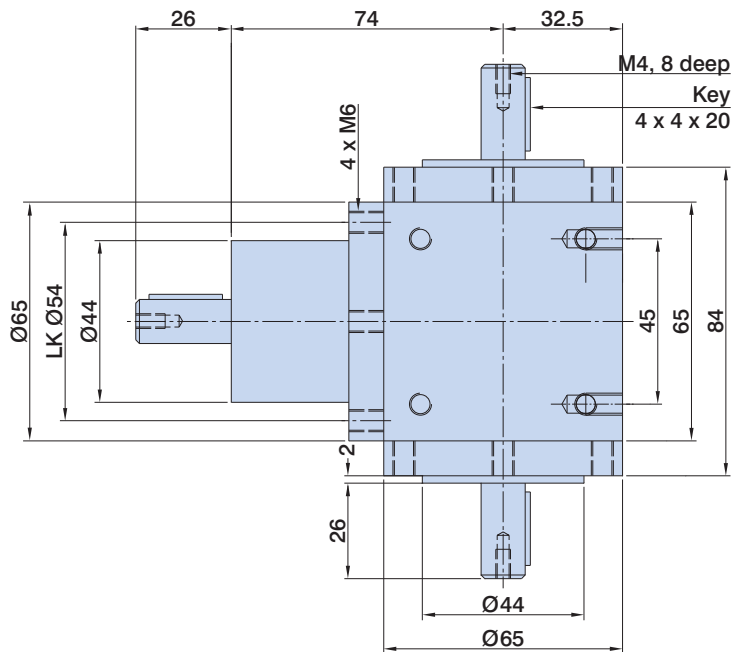
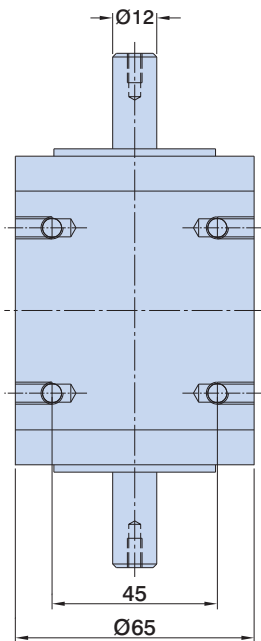
Installation alternatives



- ① Angular gear
- ② Split coupling casing with shaft coupling WK 40/60
- ③ LES 4, LES 6 or LES 5 (preparation for direct drive)
- ④ Coupling for transmission shaft $\varnothing 25$
- ⑤ Transmission shaft $\varnothing 25$
- ⑥ Pedestal bearing - recommendable from : transmission shaft length of 1,500 mm up

Dimensioned drawing

Angular transmission



Ordering overview

Installation kit with angular transmission

for H-design on LES 4/LES 6/LES 5,
0° mounting
Scope of delivery: 2 x ①, 2 x ②, 2 x ④
Part no.: **216150 0001**

for H-design on LES 4/LES 6/LES 5,
90° mounting
Scope of delivery: 2 x ①, 2 x ②, 2 x ④
Part no.: **216150 0002**

Transmission shaft

Hollow shaft $\varnothing 25$ mm \times 4 mm, blank
1000 mm
Part no.: **219001 0125**

Hollow shaft $\varnothing 25$ mm \times 4 mm, blank
2000 mm
Part no.: **219001 0225**

Coupling/stationary bearing

Coupling for transmission shaft
12 to 25 mm adaptor, VE 2 units
Part no.: **218050 0002**

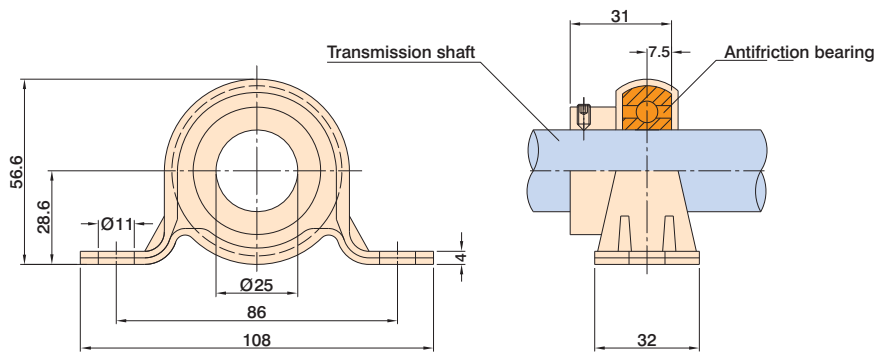
Stationary bearing for transmission shaft
VE 1 unit
Part no.: **896202 5562**

For matching direct drive modules LES 4/5/6 see table on page **B-56**

Installation kit with angular transmission

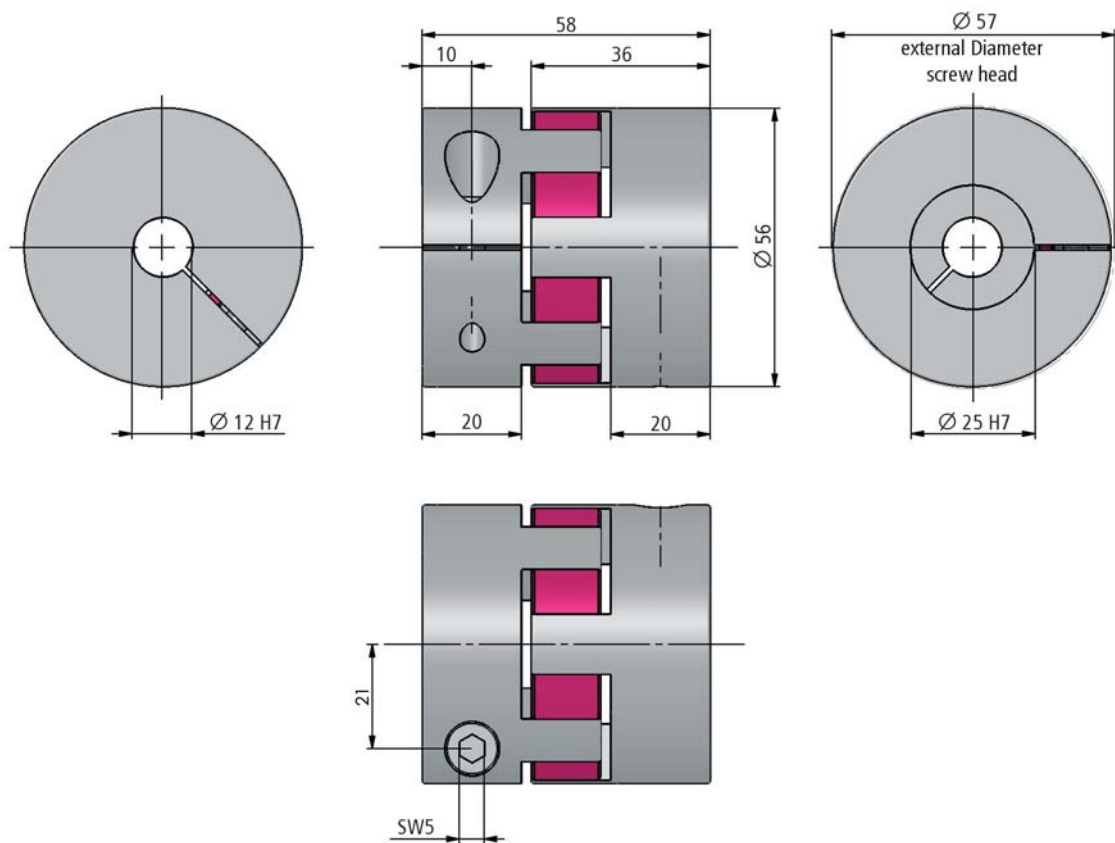
Drive element accessories

Dimensioned drawing and technical specification



Pedestal bearing- to avoid vibrations/to support the transmission shaft (recommenable from a transmission shaft length of 1,500 mm up)	
Transmissible torque	18 Nm
Weight of coupling	0.3 kg
Weight of shaft	0.540 kg/m
Moment of inertia of both couplings	$2.68 \cdot 10^{-4} \text{ kgm}^2$
Moment of inertia of shaft	$8.171 \cdot 10^{-6} \text{ kgm}^2 / 100 \text{ mm}$

Dimensioned drawing - coupling



Part no. **218050 0002**