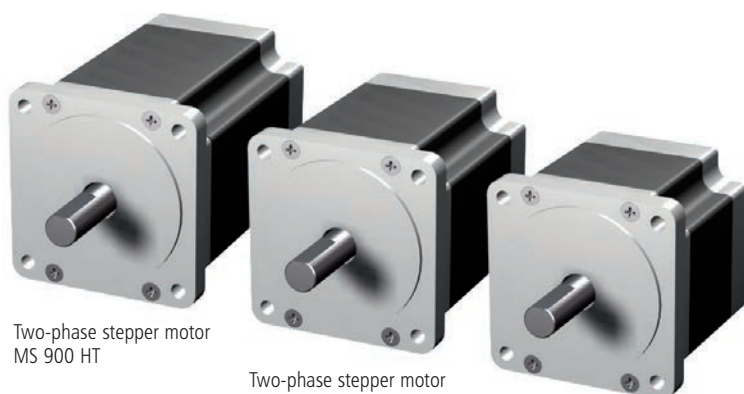


Two-phase stepper motors

MS 300/600/900 HT-2



Two-phase stepper motor
MS 900 HT

Two-phase stepper motor
MS 600 HT

Two-phase stepper motor
MS 300 HT

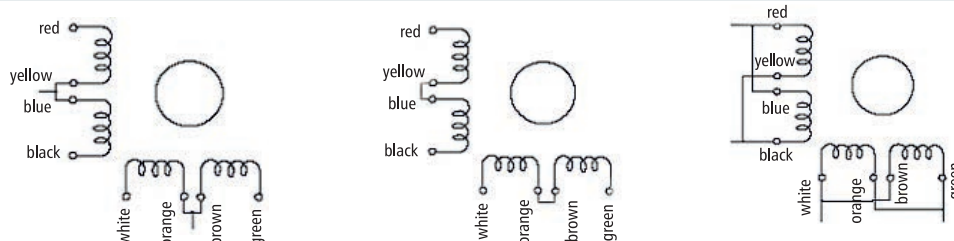
Features

- Step angle 1.8°, higher resolution through microstep mode
- Very high torque through rare earth magnets
- Optimised for use with position controllers
- Optimum torque/size ratio
- Smaller step angle errors, non-cumulative
- IP43 protection class
- **Optional:**
 - MD 28 drive module
 - Brake (MS 300 HT)

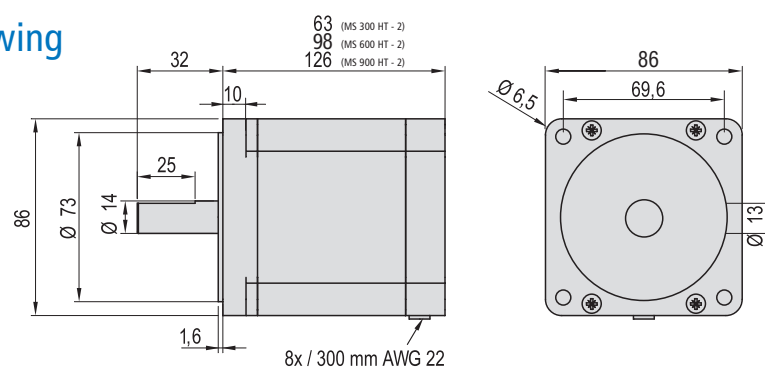
Technical specification

Description	Holding torque Bipolar Nm	Winding current per phase parallel/series A	Winding voltage per phase parallel/series V	Winding inductance per phase mH	Weight kg	Length (without shaft) mm	Part no.
MS 300 HT - 2	3.11	5.6 / 2.8	1.68 / 3.38	1.6	2.0	63	470821
MS 300 HT - 2 (brake)	3.11	5.6 / 2.8	1.68 / 3.38	1.6	2.75	104	470821 0200
MS 600 HT - 2	6.80	7.0 / 3.5	2.28 / 4.55	2.4	3.0	98	470851
MS 900 HT - 2	9.00	6.3 / 3.1	2.84 / 5.67	4.2	4.5	126	470881

Wiring diagram

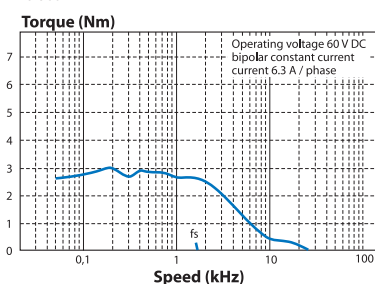


Dimensioned drawing

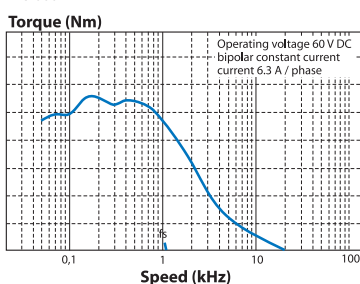


Torque curves

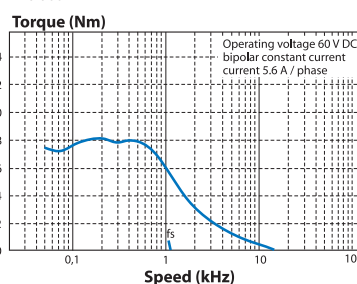
MS 300 HT



MS 600 HT



MS 900 HT



Technical specifications subject to change.