

Linear guide rail

LFS-16-120



Features

- W 190 x H 61 mm
- 2 precision steel shafts Ø 16
- Anti-twist
- Aluminium shaft housing profile naturally anodised
- Securing from below with M6 tapped rail in T-slot profile
- Conditionally self-supporting
- Any guide length
- Weight: 10.2 kg/m

Ordering key

220 008 XXXX

Length in mm (in 100 mm raster)

e.g. **0029** = Length 298

0299 = Length 2998

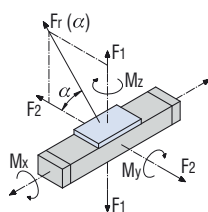
Profile length = Length overall L - 2 mm

Special lengths available on request!

Load data

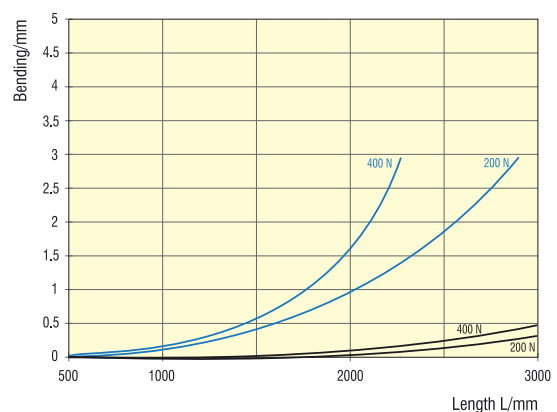
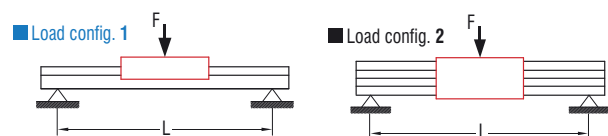
$$F_r(\alpha) = \frac{F_2}{\cos \alpha}$$

$$F_r(\alpha) = \frac{F_1}{\sin \alpha}$$



Unit with 2 x IWS 1	Unit with 2 x ILS 1	Unit with 4 x IWS 1	Unit with 4 x ILS 1
C ₀ 4929 N	C ₀ 7598 N	C ₀ 6572 N	C ₀ 10130 N
C 2660 N	C 4857 N	C 3546 N	C 6476 N
F _{1 stat.} 4209 N	F _{1 stat.} 6488 N	F _{1 stat.} 5612 N	F _{1 stat.} 8650 N
F _{1 dyn.} 2271 N	F _{1 dyn.} 4148 N	F _{1 dyn.} 3028 N	F _{1 dyn.} 5530 N
F _{2 stat.} 4929 N	F _{2 stat.} 7598 N	F _{2 stat.} 6572 N	F _{2 stat.} 10130 N
F _{2 dyn.} 2660 N	F _{2 dyn.} 4857 N	F _{2 dyn.} 3546 N	F _{2 dyn.} 6476 N
M _{1 stat.} 253 Nm	M _{1 stat.} 389 Nm	M _{1 stat.} 337 Nm	M _{1 stat.} 519 Nm
M _{1 stat.} 147 Nm	M _{1 stat.} 195 Nm	M _{1 stat.} 309 Nm	M _{1 stat.} 476 Nm
M _{2 stat.} 173 Nm	M _{2 stat.} 228 Nm	M _{2 stat.} 361 Nm	M _{2 stat.} 557 Nm
M _{1 dyn.} 136 Nm	M _{1 dyn.} 249 Nm	M _{1 dyn.} 182 Nm	M _{1 dyn.} 332 Nm
M _{2 dyn.} 79 Nm	M _{2 dyn.} 124 Nm	M _{2 dyn.} 167 Nm	M _{2 dyn.} 304 Nm
M _{2 dyn.} 93 Nm	M _{2 dyn.} 146 Nm	M _{2 dyn.} 195 Nm	M _{2 dyn.} 356 Nm

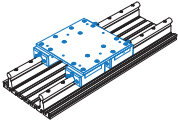
Bending



Linear guide rail

LFS-16-120

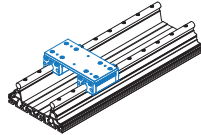
Slide unit with 2 × steel slides ILS 1 (kit)



- L 84 x W 178 x H 8 mm
- Ground steel plate
- 2 x ILS 1, central lubrication option
- Adjustable for no play
- Total weight: 2.30 kg

Part no.: **223240 0009**

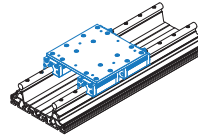
Slide unit with 2 × aluminium slides IWS 1 (kit)



- L 84 x W 178 x H 8 mm
- Ground steel plate
- 2 × IWS 1, central lubrication option
- Adjustable for no play
- Total weight: 1.50 kg

Part no.: **223240 0007**

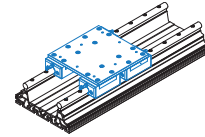
Slide unit with 4 × aluminium slides IWS 1 (kit)



- L 180 x W 178 x H 8 mm
- Ground steel plate
- 4 x IWS 1, central lubrication option
- Adjustable for no play

Part no.: **223240 0008**

Slide unit with 4 × steel slides ILS 1 (kit)

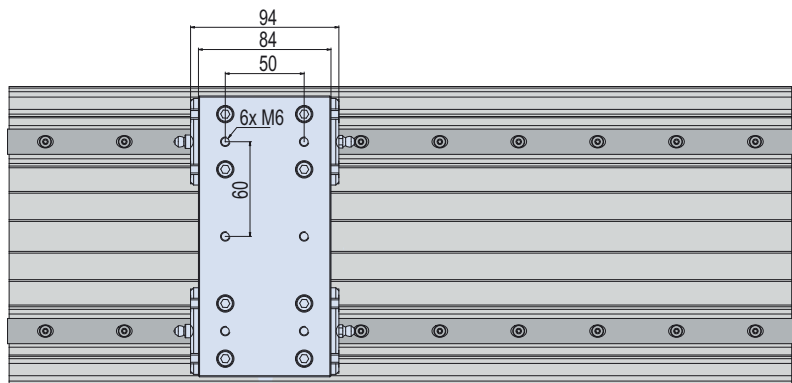
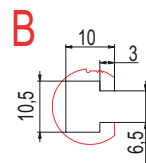
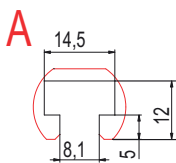
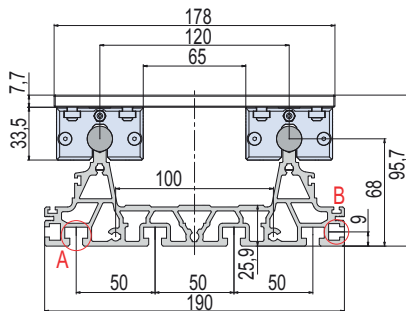


- L 180 x W 178 x H 8 mm
- ground steel plate
- 4 x ILS 1, central lubrication option
- Adjustable for no play

Part no.: **223240 0010**

Dimensioned drawings

Aluminium slides IWS 1



Steel slides ILS 1

